



## Oval Wheel Flow Meter For Viscous Liquids



measuring  
•  
monitoring  
•  
analysing



Model: OVZ



Model: OVZ  
with compact electronics

- Measuring ranges:  
0.3-8 to 1.6-40 L/min liquid
- Measuring accuracy:  $\pm 2.5\%$  f.s.
- $p_{max}$ : 40 bar,  $t_{max}$ : 80 °C
- Viscosity range: 10- 800 mm<sup>2</sup>/s
- Connection: G 1/4 to G 3/4 female
- Material:  
POM, PMMA, PSU, aluminium
- Output: pulses, 0(4)...20 mA,  
Limit Switches



Model: OVZ

KOBOLD companies worldwide:

ARGENTINA, AUSTRIA, BELGIUM, CANADA, CHILE, CHINA, CZECHIA,  
FRANCE, GERMANY, GREAT BRITAIN, INDIA, INDONESIA, ITALY,  
MALAYSIA, MEXICO, NETHERLANDS, POLAND, SINGAPORE, SLOVAKIA,  
SPAIN, SWITZERLAND, THAILAND, USA, VENEZUELA, VIETNAM

KOBOLD Messring GmbH  
Nordring 22-24  
D-65719 Hofheim/Ts.  
☎ +49(0)6192 299-0  
Fax +49(0)6192 23398  
E-Mail: info.de@kobold.com  
Internet: www.kobold.com

Model:  
OVZ...

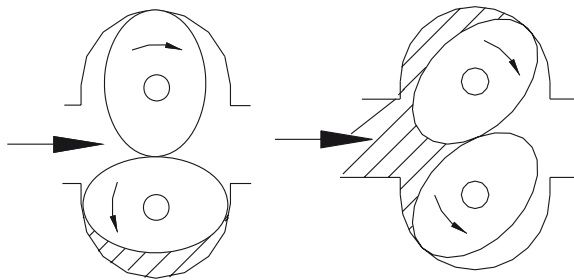
### Application

The model OVZ oval wheel flow meters are used to measure, monitor and meter viscous liquids. The flow meters function independent of viscosity in the viscosity range between 10 and 800 mm<sup>2</sup>/s. A maximum pressure loss of 1 bar has been defined at the factory.

This results in different measuring ranges for different viscosities. The oval gearwheels are manufactured from high-quality plastic.

### Function

The OVZ oval wheel meter is a positive-displacement flow meter. The measuring element comprises two toothed



precision oval gearwheels, which are driven by the liquid and thus roll together. A fixed quantity of liquid is transported through the chambers for every turn of the oval-wheel pair. Permanent magnets or stainless steel pins are embedded in the oval gearwheels. The rotary motion is converted to a pulse signal by electrical sensors externally fitted to the measuring chamber. The pulse count is a measure of the flow rate. The signals are evaluated by downstream electronics (optional).

### Technical Details:

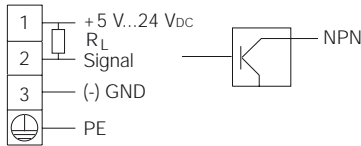
Viscosity range:	10 to 800 mm <sup>2</sup> /s (option: 1000 mm <sup>2</sup> /s)
Ambient temperature:	-10°C to +60°C
Medium temperature:	-10°C to +80°C
Max. pressure:	OVZ-..1, OVZ-..2: 10 bar OVZ-..3, OVZ-..4: 16 bar OVZ-..5: 40 bar
Accuracy:	± 2.5 % f. s.
Filter mesh size:	max. 30 µm
Material:	combination / case / cover OVZ-..1.. / POM / POM OVZ-..2.. / POM / PMMA OVZ-..3.. / aluminium / PMMA OVZ-..4.. / aluminium / PSU OVZ-..5.. / aluminium / aluminium ovals wheels: POM axles: stainless steel 1.4301 O-rings: NBR; option: FPM, EPDM
Contactors:	oxide ceramic magnets or stainless steel
Frequency range:	0.3 - 9 Hz to 2 - 57 Hz
Protection:	IP 65 (..I401, -I302, -I303, ..L 443, ..Z 3x0) IP 67 (all others)

### Electronics

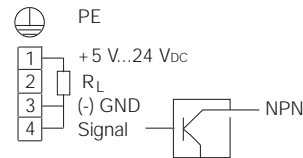
- **Frequency output (...I401; ...I302; ...I303)**  
 Power supply: 5 - 24 V<sub>DC</sub>  
 Power consumption: typically 10 mA  
 Pulse output: Hall effect sensor NPN, asymmetrical, open collector, max. 15 mA  
 Electr. connection: connector socket DIN 43650 (...I401)  
 aluminium adapter box with cable connection (...I302)  
 aluminium cover box with circular connector M12x1 (...I303)
- **Frequency output (...I304)**  
 Power supply: 18 - 30 V<sub>DC</sub>  
 Power consumption: typically 10 mA  
 Pulse output: PNP, asymmetrical, open collector max. 120 mA  
 Electr. connection: 2 m PVC cable
- **Frequency output (...I305)**  
 Power supply: nominal 8.2 V<sub>DC</sub>  
 Pulse output: Namur, asymmetrical, max. approx. 3.5 mA (typ. 0.5 mA)  
 Electr. connection: 2 m PVC cable
- **Frequency output (...F300)**  
 Power supply: 12 - 28 V<sub>DC</sub>  
 Power consumption: 10 mA  
 Pulse output: PNP, open collector, max. 25 mA  
 Electr. connection: connector M12x1
- **Frequency output with frequency divider (...F3X0)**  
 Power supply: 24 V<sub>DC</sub> ± 20%  
 Power consumption: 15 mA  
 Pulse output: PNP, open collector, max. 25 mA  
 Electr. connection: connector M12x1  
 Divisional factor: acc. to customer specification
- **Analogue output (...L303; ...L343, ...L443)**  
 Power supply: 24 V<sub>DC</sub> ± 20%  
 Output: 4 - 20 mA, 0 - 20 mA, 3-wire  
 Max. load: 500 Ω  
 Electr. connection: connector M12x1 or DIN 43 650  
 Option: plug-on display AUF-3000 (with DIN connector only)
- **Compact electronics**  
 Display: 3-digit LED  
 Analogue output: (0)4...20 mA adjustable, max. 500 Ω  
 Switching outputs: 1 (2) semiconductor PNP or NPN, factory setting  
 Contact operation: N/C, N/O programmable  
 Setting: via 2 keys  
 Power supply: 24 V<sub>DC</sub> ± 20%, 3-wire, appr. 100 mA  
 Electr. connection: connector M12x1
- **Pointer indication with analogue output**  
 Housing: aluminium  
 Indication: moving coil instrum., 240° indication  
 Power supply: 24 V<sub>DC</sub> ± 20%  
 Output: 0 - 20 mA or 4 - 20 mA, 3-wire  
 Max. load: 250 Ω  
 Electr. connection: connector M12x1

**Electrical Connection**

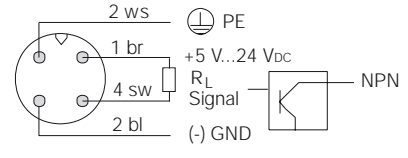
**OVZ-...I401**



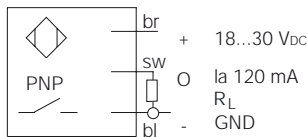
**OVZ-...I302**



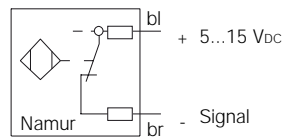
**OVZ-...I303**



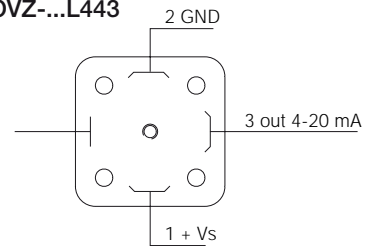
**OVZ-...I304**



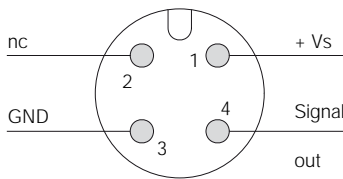
**OVZ-...I305**



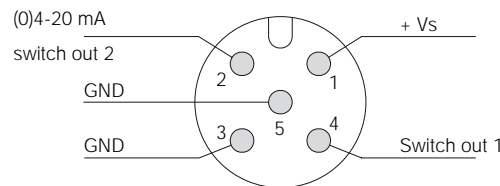
**OVZ-...L443**



**OVZ-..F., OVZ-..Z., OVZ-..L3..**



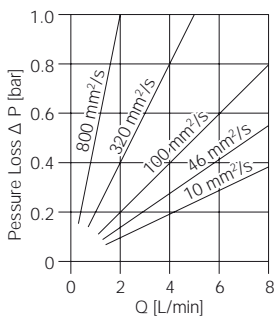
**OVZ-..C..**



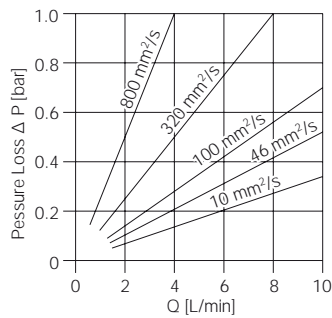
$R_L = 2,4 \dots 100 \text{ k}\Omega$

**Pressure Losses (POM plastic housing)**

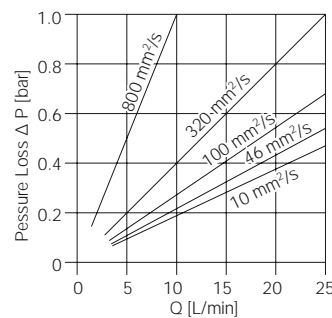
**OVZ-02...**



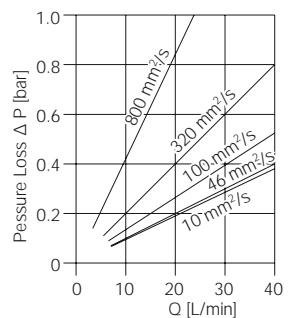
**OVZ-04...**



**OVZ-15...**

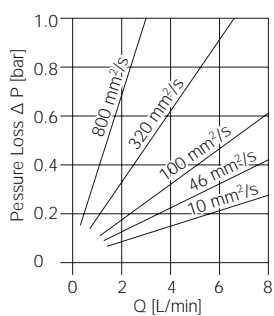


**OVZ-30...**

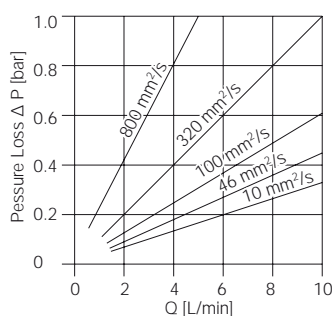


**Pressure Losses (Aluminium housing)**

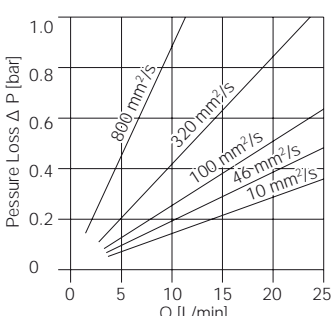
**OVZ-02...**



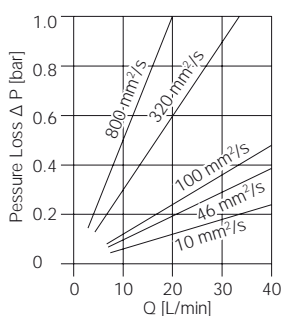
**OVZ-04...**



**OVZ-15...**



**OVZ-30...**





**Order Details (POM plastic housing)** (Example: OVZ-02 1 G2 N I401)

Rated measuring range (L/min) <sup>1)</sup> (for different viscosities)				Imp./ Liter <sup>2)</sup>	Model	Material/ cover	Connection	Gaskets	Electrical transducer
10 mm <sup>2</sup> /s	100 mm <sup>2</sup> /s	320 mm <sup>2</sup> /s	800 mm <sup>2</sup> /s						
0.3-8.0	0.3-8.0	0.2-5.0	0.1-2.0	408,5	OVZ-02..	..1..=POM ..2..=PMMA	..G2..=G 1/4 ..N2..=1/4 NPT	..N..= NBR (standard) ..V..= FPM ..E..= EPDM	<p><b>Frequency output</b></p> <p>..I401=frequency output NPN, DIN connector 43650                      ..I302=frequency output NPN, cable connection                      ..I304=frequency output PNP, 2 m PVC cable                      ..I305=frequency output Namur, 2 m PVC cable                      ..F300=frequency output PNP, connector M12x1                      ..F3X0=frequency divider adjusted PNP, connector M12x1</p> <p><b>Analogue output</b></p> <p>..L303=0-20 mA output, 3-wire, M12x1 connector                      ..L343=4-20 mA output, 3-wire, M12x1 connector                      ..L443=4-20 mA output, 3-wire, DIN connector</p> <p><b>Compact electronic*</b></p> <p>..C30R=LED display, 2 x open collector, PNP, connector M12x1                      ..C30M=LED display, 2 x open collector, NPN, connector M12x1                      ..C34P=LED display, 4-20 mA, 1 x op. coll., PNP, connector M12x1                      ..C34N=LED display, 4-20 mA, 1 x op. coll., NPN, connector M12x1</p> <p><b>Pointer indication, 240°*</b></p> <p>..Z300=240° pointer indication, 0-20 mA, connector M12x1                      ..Z340=240° pointer indication, 4-20 mA, connector M12x1</p>
0.4-10.0	0.4-10.0	0.3-8.0	0.15-4.0	224	OVZ-04..		..G2..=G 1/4 ..N2..=1/4 NPT		
1.0-25.0	1.0-25.0	1.0-25.0	0.4-10.0	52,5	OVZ-15..		..G4..=G 1/2 ..N4..=1/2 NPT		
1.6-40.0	1.6-40.0	1.6-40.0	0.95-24.0	28	OVZ-30..		..G5..=G 3/4 ..N5..=3/4 NPT		

<sup>1)</sup>Maximum pressure loss at maximum rated flow is 1 bar

<sup>2)</sup>Hz=Imp./Liter x L/min/60

\*Please specify flow direction in writing

**Order Details (aluminium housing)** (Example: OVZ-02 3 G2 N I401)

Rated measuring range (L/min) <sup>1)</sup> (for different viscosities)				Imp./ Liter <sup>2)</sup>	Model	Material/ cover	Connection	Gaskets	Electrical transducer
10 mm <sup>2</sup> /s	100 mm <sup>2</sup> /s	320 mm <sup>2</sup> /s	800 mm <sup>2</sup> /s						
0.3-8.0	0.3-8.0	0.25-6.6	0.1-3.0	396	OVZ-02..	..3..=PMMA ..4..=PSU ..5..=Alu	..G2..=G 1/4 ..N2..=1/4 NPT	..N..= NBR (standard) ..V..= FPM ..E..= EPDM	<p><b>Frequency output</b></p> <p>..I401=frequency output NPN, connector DIN 43650                      ..I302=frequency output NPN, cable connection                      ..I303=frequency output NPN, connector M12x1                      ..F300=frequency output PNP, connector M12x1                      ..F3X0=frequency divider adjusted PNP, connector M12x1</p> <p><b>Analogue output</b></p> <p>..L303=0-20 mA output, 3-wire, M12x1 connector                      ..L343=4-20 mA output, 3-wire, M12x1 connector                      ..L443=4-20 mA output, 3-wire, DIN connector</p> <p><b>Compact electronic*</b></p> <p>..C30R=LED display, 2 x open collector, PNP, connector M12x1                      ..C30M=LED display, 2 x open collector, NPN, connector M12x1                      ..C34P=LED display, 4-20 mA, 1 x op. coll., PNP, connector M12x1                      ..C34N=LED display, 4-20 mA, 1 x op. coll., NPN, connector M12x1</p> <p><b>Pointer indication, 240°*</b></p> <p>..Z300=240° pointer indication, 0-20 mA, connector M12x1                      ..Z340=240° pointer indication, 4-20 mA, connector M12x1</p>
0.4-10.0	0.4-10.0	0.4-10.0	0.25-4.5	203	OVZ-04..		..G2..=G 1/4 ..N2..=1/4 NPT		
1.0-25.0	1.0-25.0	0.9-23.0	0.5-12.5	46,5	OVZ-15..		..G4..=G 1/2 ..N4..=1/2 NPT		
1.6-40.0	1.6-40.0	1.3-33.5	0.8-20.0	26	OVZ-30..		..G5..=G 3/4 ..N5..=3/4 NPT		

<sup>1)</sup>Maximum pressure loss at maximum rated flow is 1 bar

<sup>2)</sup>Hz=Imp./Liter x L/min/60

Digital indicators and transducers to this oval wheel flow meter please see end of brochure.

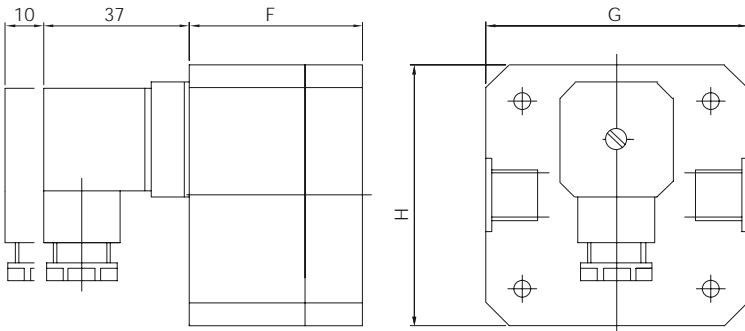
\*Please specify flow direction in writing

**Plug-on display**

for model OVZ...L4... (with 4-20 mA output and DIN connector)

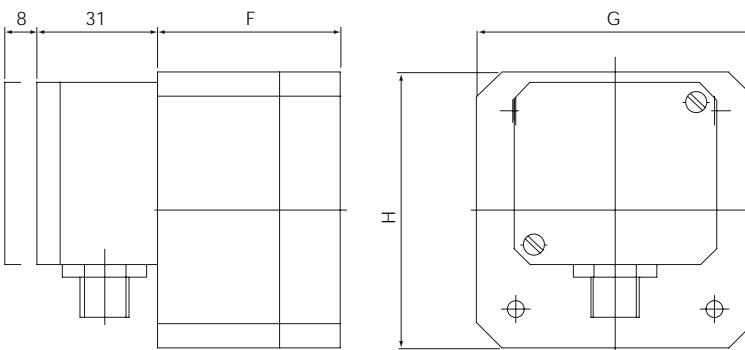
Description	Order number
3-digit LED, plug-connection DIN 43 650, 3-wire, power supply with analogue output	AUF-3000

**Dimensions OVZ-...I401**



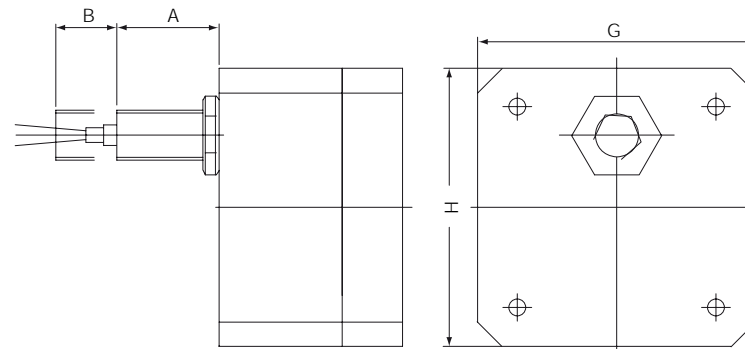
	G [mm]	H [mm]	F [mm]			
			..1..	..2..	..3/4..	..5..
OVZ-02...	68	68	45	45	43.5	41
OVZ-04...	68	68	49	49	47	44.5
OVZ-15...	99	99	71	73	71	66
OVZ-30...	119	119	84.5	87.5	86	79.5

**Dimensions OVZ-...I302, OVZ-...I303**



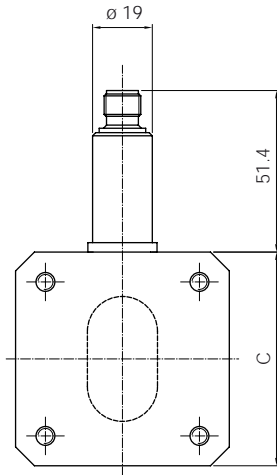
	G [mm]	H [mm]	F [mm]			
			..1..	..2..	..3/4..	..5..
OVZ-02...	68	68	45	45	43.5	41
OVZ-04...	68	68	49	49	47	44.5
OVZ-15...	99	99	71	73	71	66
OVZ-30...	119	119	84.5	87.5	86	79.5

**Dimensions OVZ-...I304, OVZ-...I305**

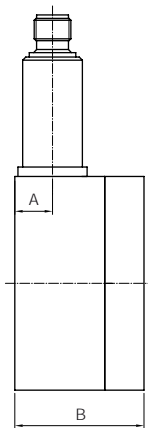


	PNP		NAMUR		PNP/NAMUR	
	A [mm]	B [mm]	A [mm]	B [mm]	G [mm]	H [mm]
OVZ-02...	21.5	13.5	16.5	13.5	68	68
OVZ-04...	21	14	16	14	68	68
OVZ-15...	19	16	14	16	99	99
OVZ-30...	17	18	12	18	119	119

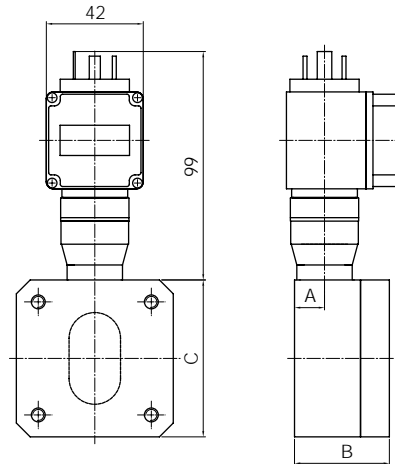
Dimensions OVZ-...L3...



OVZ-...F3...



Dimensions OVZ-...L443 with AUF-3000

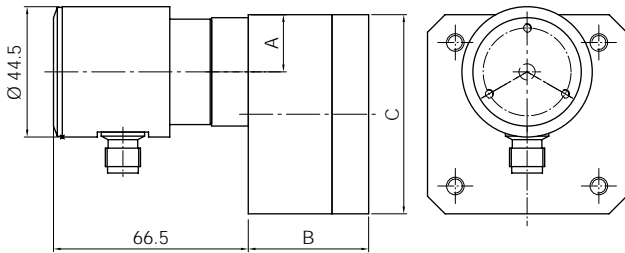


OVZ with frequency or analogue output: overview

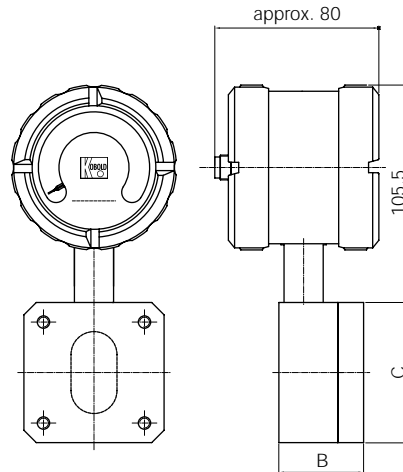
Plastic housing (POM)			
Description	Dimension A	Dimension B	Dimension C
OVZ-02 1=POM	13	45	□ 68
OVZ-02 2=PMMA	13	45	□ 68
OVZ-04 1=POM	13.7	49	□ 68
OVZ-04 2=PMMA	13.7	49	□ 68
OVZ-15 1=POM	15.65	71	□ 99
OVZ-15 2=PMMA	15.65	73	□ 99
OVZ-30 1=POM	17.6	84.5	□ 119
OVZ-30 2=PMMA	17.6	87.5	□ 119

Aluminium housing (ALU)			
Description	Dimension A	Dimension B	Dimension C
OVZ-02 3=PMMA	11.5	43.6	□ 68
OVZ-02 4=PSU	11.5	43.6	□ 68
OVZ-02 5=ALU	11.5	41.1	□ 68
OVZ-04 3=PMMA	11.5	47	□ 68
OVZ-04 4=PSU	11.5	47	□ 68
OVZ-04 5=ALU	11.5	44.5	□ 68
OVZ-15 3=PMMA	13.35	71	□ 99
OVZ-15 4=PSU	13.35	71	□ 99
OVZ-15 5=ALU	13.35	66	□ 99
OVZ-30 3=PMMA	15.75	86	□ 119
OVZ-30 4=POM	15.75	86	□ 119
OVZ-30 5=PMMA	15.75	79.5	□ 119

**Dimensions OVZ-...C3...**



**Dimensions OVZ-...Z3...**



**OVZ with compact electronic: overview**

Plastic housing (POM)			
Description	Dimension A	Dimension B	Dimension C
OVZ-02 1=POM	19.525	45	□ 68
OVZ-02 2=PMMA	19.525	45	□ 68
OVZ-04 1=POM	16.95	49	□ 68
OVZ-04 2=PMMA	16.95	49	□ 68
OVZ-15 1=POM	21.125	71	□ 99
OVZ-15 2=PMMA	21.125	73	□ 99
OVZ-30 1=POM	23.2	84.5	□ 119
OVZ-30 2=PMMA	23.2	87.5	□ 119

Aluminium housing (ALU)			
Description	Dimension A	Dimension B	Dimension C
OVZ-02 3=PMMA	19.525	43.6	□ 68
OVZ-02 4=PSU	19.525	43.6	□ 68
OVZ-02 5=ALU	19.525	41.4	□ 68
OVZ-04 3=PMMA	19.525	47	□ 68
OVZ-04 4=PSU	19.525	47	□ 68
OVZ-04 5=ALU	19.525	44.5	□ 68
OVZ-15 3=PMMA	21	71	□ 99
OVZ-15 4=PSU	21	71	□ 99
OVZ-15 5=ALU	21	66	□ 99
OVZ-30 3=PMMA	23.025	86	□ 119
OVZ-30 4=POM	23.025	86	□ 119
OVZ-30 5=PMMA	23.025	79.5	□ 119

**For Flow Meters and Monitors  
without moving parts...**



**...please refer to our brochure »S5«**