

Electronic Flow Monitor for Air



- Range: 1-20 m/s Air
- Accuracy:
± 10 % of measured value
- p_{max} 8 bar,
t_{max} 120 °C
- Relay-output
- No moving parts
- Negligible pressure loss

KOBOLD companies worldwide:

ARGENTINA, AUSTRIA, BELGIUM, CANADA, CHILE, CHINA, CZECHIA,
FRANCE, GERMANY, GREAT BRITAIN, INDIA, INDONESIA, ITALY,
MALAYSIA, MEXICO, NETHERLANDS, POLAND, SINGAPORE, SLOVAKIA,
SPAIN, SWITZERLAND, THAILAND, USA, VENEZUELA, VIETNAM

KOBOLD Messring GmbH
Nordring 22-24
D-65719 Hofheim/Ts.
☎ +49(0)6192 299-0
Fax +49(0)6192 23398
E-Mail: info.de@kobold.com
Internet: www.kobold.com

Model:
KAL-L...

Method of operation

The model KAL-L... electronic flow switch monitors air and gas flow. It is suited for securely monitoring flows with minimum pressure loss.

Function

The operation of the electronic flow monitor KAL-L... is based on the proven calorimetric principle. A sensor is heated to a few degrees above the temperature of the flow medium. When the medium flows, the heat generated in the sensor is transferred to the medium, ie, the sensor is cooled. This cooling process is a measure of the flow velocity. A second sensor measures the medium temperature. The electronics compares the resistances of both sensors by means of a Wheatstone bridge circuit, and switches an output relay if the actual value drops below the set switching value.

Technical details:

- Power supply: 24 V_{AC/DC} - 15%, +10%
- Power consumption: max. 4 VA
- Ambient temperature: -10°C ... +60°C
- Temperature of medium: -25°C ... +120°C
- Max. pressure: 8 bar
- Warm up time: max. 30 s
- Switching range: 1 to 20 m/s (at 20°C, 1 bar) (restricted span for other pressure and temperature conditions)
- Switching accuracy: ± 10 % of measured value
- Repeatability: ± 1 % of measured value
- Temperature gradient: 30 K/min. (at 8 m/s, 90°C)
- Response time: 1...60 s adjustable
- Flow rate indication: LED bargraph
- Switch point adjustment: with potentiometer
- Output indicator: two-colour LED

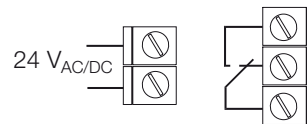
Technical details (continued):

- Switch output: relay, floating changeover contact
- Switch capacity: max. 250 V_{AC} / 1000 VA / 4 A except for KAL-...ST: max. 24 V_{AC/DC} / 3 A
- Protection: IP 65
- Case material: glass-fibre-reinforced polyamide
- Sensor material: brass, nickel-plated

Fields of application

- Air conditioning systems
- Extraction plants
- Conveying plants

Electrical connection

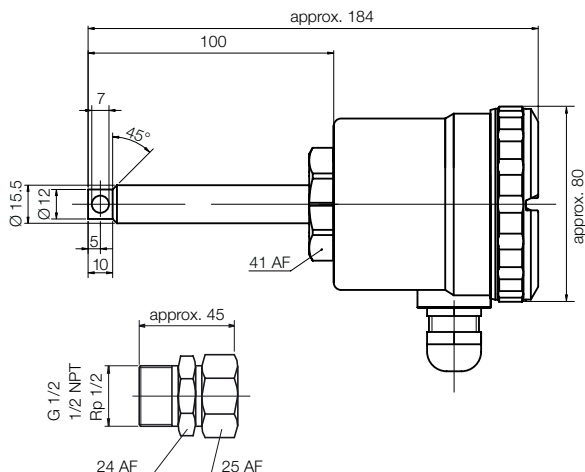


Order details (example of order: KAL-L81FL WK ST)

Connection	Order No.	Electr. connection/ cable connector
Smooth shaft D=15 mm	KAL-L8100 WK	PG= cable connection M16x1.5 ST= connector M12x1 S4= connector DIN 43650 N4= 1/2 NPT for cable connection
Compression fitting G 1/2	KAL-L81G1 WK	
Compression fitting Rp 1/2	KAL-L81R1 WK	
Compression fitting 1/2 NPT	KAL-L81N1 WK	
with clamping flange according to DIN 43 743	KAL-L81FL WK	
M18x1.5	KAL-L0118 WK	

Dimensions

KAL-L8100 WK



KAL-L0118 WK

